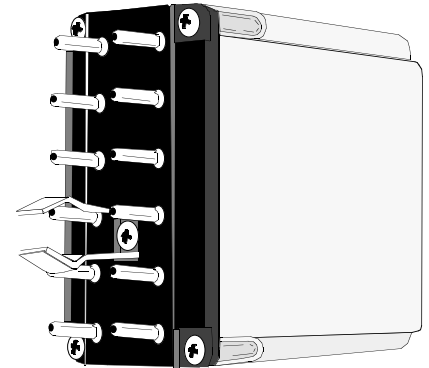


311 Series Relay is a sequencing version of the 219 series general purpose relay. Contacts transfer on each impulse to the coil. Models are available with contacts transferring when coil is energized or de-energized. A double cam movement, one cam per snap switch, allows one or both contacts to be energized or de-energized with the cam rotating one half-step when the coil is energized and the other half step when the coil is de-energized assures reliable sequencing of the two SPDT snap switches.



 UL Recognized
File No. E7104

GENERAL SPECIFICATIONS (@ 25⁰C)

COIL

Pull-in, min. AC	85% of Nominal Voltage
Pull-in min. DC	80 % of Nominal Voltage
Overvoltage, max.	110% of nominal, voltage

CONTACTS

Contact Material: Silver Alloy

TIMING

Operate Time: (operate coil)	35 mS Max. @ Nominal Voltage.
Release Time: (Reset coil energized)	35 mS Max. @ Nominal Voltage.

DIELECTRIC STRENGTH

Across open Contacts:	500 V rms
Between mutually insulated current carrying parts & those parts to ground:	1500 V rms
Insulation Resistance :	1000 Megohm minimum @ 500 VDC

TEMPERATURE

Rated Operation: -10⁰ C to +60⁰ C

LIFE EXPECTANCY

Mechanical: 5 Million Operations no load
Electrical: 100,000 Operations @ Rated Load.

MISCELLANEOUS

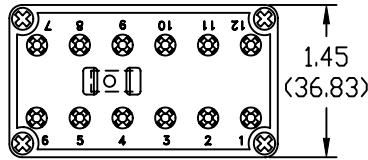
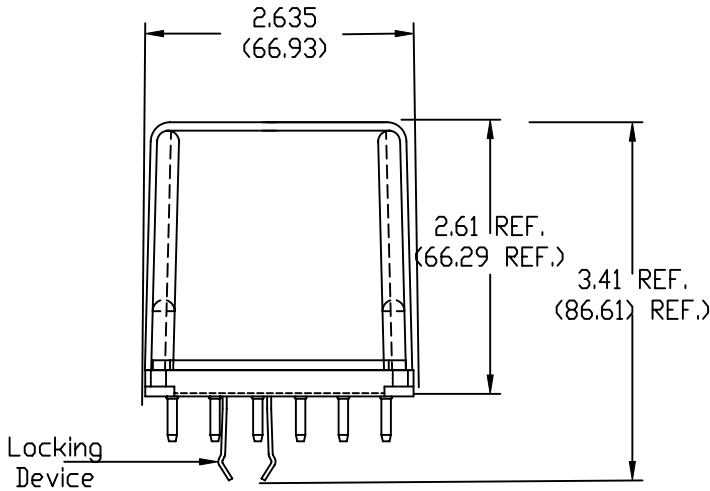
Enclosure: Clear polycarbonate.
Weight: 190 g (6.70 oz.) approx.

COIL SPECIFICATIONS

AC COIL , 50/60Hz		DC COIL	
Nominal Voltage	Resistance Ohms ± 10%	Nominal Voltage	Resistance Ohms ± 10%
6	1.1	6	15.5
12	4.2	12	63.5
24	15.5	24	250
120	540	48	970
240	1815	115-125	6200

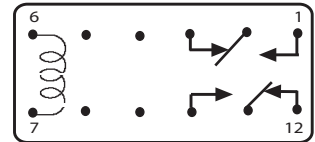
NOTE: Relays with other coil characteristics may be supplied to meet specific application requirements.

250VDC operation may be obtained by wiring a 6,200 W, 5 Watt resistor in series with the 115-125VDC coil. The resistor must be mounted external to the A311.



**CUSTOM STEPPING
ARRANGEMENTS
AVAILABLE**

**WIRING DIAGRAM
Viewed from Pin Side**



**A311XBXP
A311XBXPR *
(DPDT)**

*Transfer on Release

STRUTHERS-DUNN

ORDERING CODE

Typical Type No. **A311 XBX P R L -120A**

Series _____
 A311 Industrial plug-in ,
 Sequence Relay, 5 Amp, DPDT

Contact Arrangements _____
 XBX (2 Form C)

Standard Features _____
 Plug-in with Polycarbonate Cover - CODE P

Contact Transfer _____
 When coil is energized - NO CODE
 when coil is de-energized CODE R

Options _____
 Indicator Lamp - CODE L
 Coil Suppression - CODE V

Coil Voltage _____
 AC: 6,12,24,120,240,(Add VAC)
 DC: 6, 12, 24, 48, 110-125 (Add VDC)

CONTACT RATINGS

LOAD	120VAC	30VDC	115VDC
Resistive	5A	5A	0.1A
Max. Inrush	12A	12A	0.25A

**MATING SOCKET
27390D**